

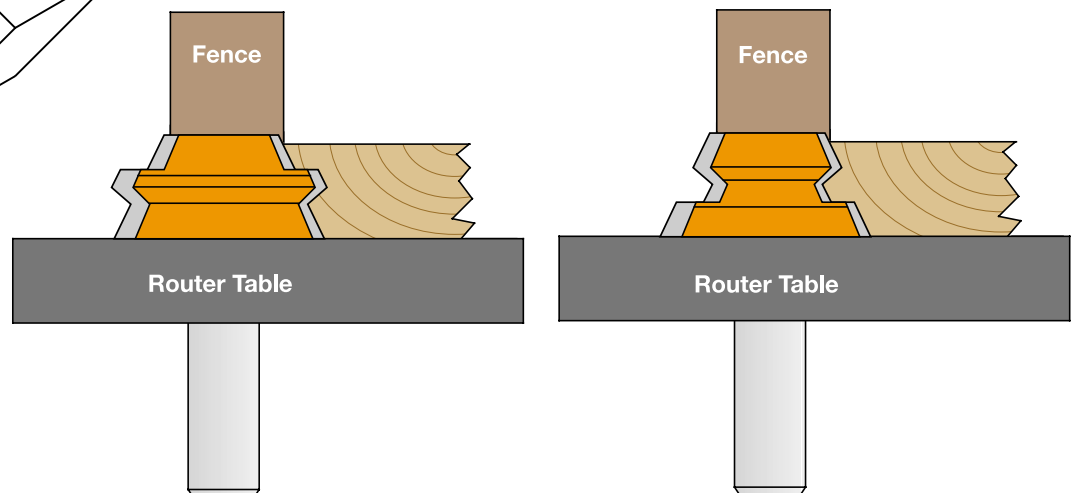
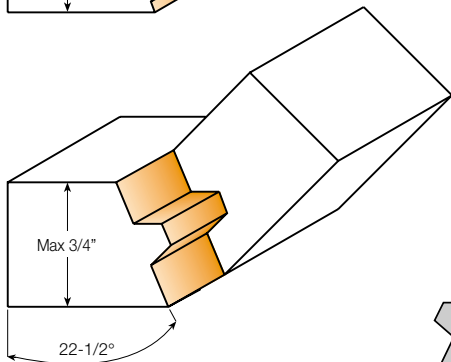
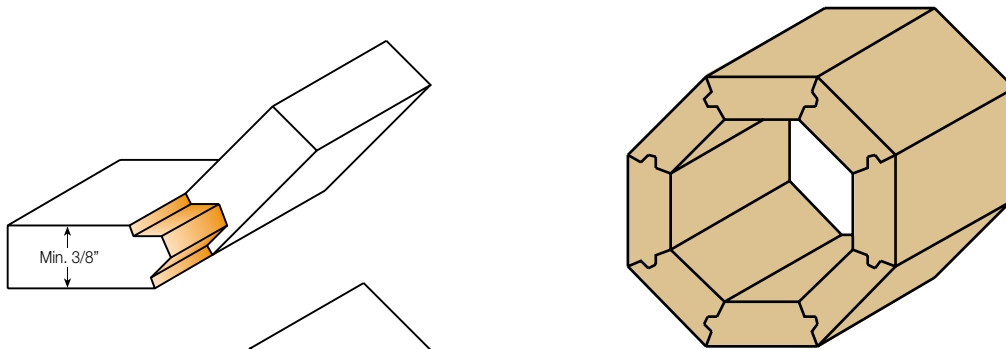
855.505.11 1/2" Shank Set

NEW!

\$ 150.90
PRICE

Now you don't have to fight with those awkward clamps on your 22-1/2° projects. Use this pair of bits to produce octagon shaped boxes and popular corner cabinetry like corner cabinets for kitchens, entertainment centers, kitchen islands and corner hutches. This 22-1/2° Lock Miter set provides a strong tight joint when you want to join wood at 45° angles.

Joining with biscuits or splines is time consuming and difficult to clamp. CMT's matched pair of cutters makes set-up easy. Height adjustment is not critical with this matched pair, simply adjust your fence so the top edge of the work piece intersects the angle of the bit where it meets the fence. After your joints are machined they can be glued up and assembled and simply clamped with strapping tape.



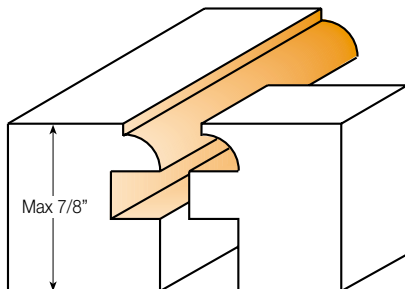
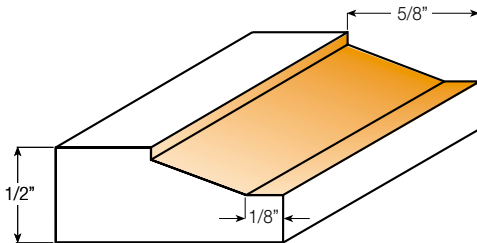
Cutting Diameter inches	Cutting Diameter mm	Cutting Length mm	Cutting Angle	Max Joint Thickness	Order No. 1/2" Shank	Price \$	
						1/4" Shank	1/2" Shank
1-15/32"	37.4	7/8"	22.5°	3/4"	855.505.11	N/A	150.90

800.524.11 1/2" Shank Set

NEW!

\$ 248.90
PRICE

This three piece set will produce beautiful raised panel doors with a classic diminutive beveled profile. Designed for use in fine furniture making, this set includes two matched cope and stick bits for producing frames in 5/8" to 13/16" thick material. The stick bit shapes a decorative 3/16" thumbnail molding along the edges of the frame. The panel making bit is designed for 1/2" material. All bits are equipped with guide bearings for shaping curved work such as the small arched panel doors seen on secretaries and corner cabinetry. This set also produces panels for small chests and other cabinetry. The raised panel bit alone makes a nice lid for small boxes or drawer fronts. 1/2" Shanks. Instructions included.



This detail photograph shows an example of a small arched door on the front of this secretary made by Lonnie Bird



Set Contains	Order No.	Price \$	
		1/4" Shank	1/2" Shank
Raised panel bit with bearing	890.512.11	N/A	120.50
Rail and stile matched pair	891.512.11	N/A	132.90

800.523.11 1/2" Shank Set

NEW!

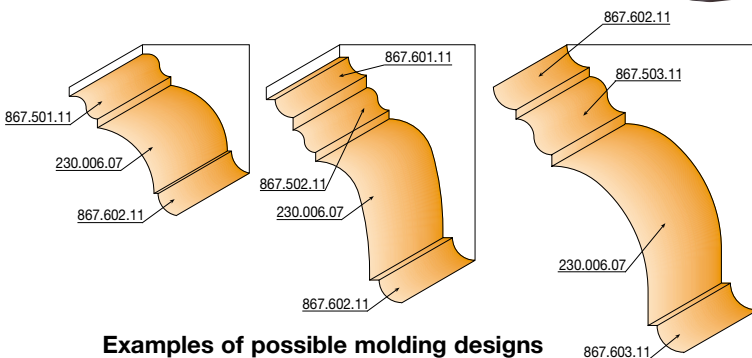
\$ 443.90
PRICE

CMT's New Crown Molding Set designed by Lonnie Bird allows you to shape elegant moldings with your table-saw and router table. Unlike commercially available crown molding, molding made with this set is easy to install and creates a finished appearance. This set is perfect for shaping moldings for fine furniture and other casework.

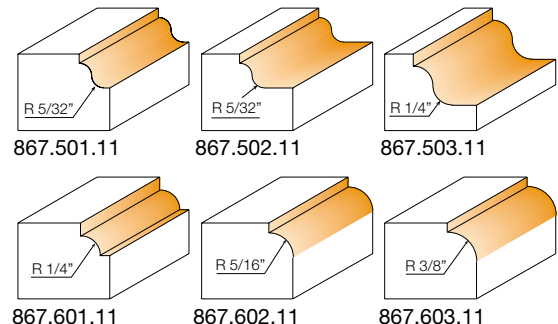
The set consists of a cove cutter and six router bits with inverted profiles. The cove cutter mounts on your tablesaw and is used in conjunction with a pair of angled fences. Simply changing the fence angle and cutter height allows you to create an almost infinite variety of cove shapes and sizes. Best of all, the finished surface requires very little sanding. After shaping the cove, you can use the special router bits with inverted profiles to create various edge treatments and complete the molding. 1/2" Shanks. Instructions included.



Six different profiles inverted on the shank allow you to create a large variety of edge treatments.



Examples of possible molding designs



Six profiles included in set 800.523.11

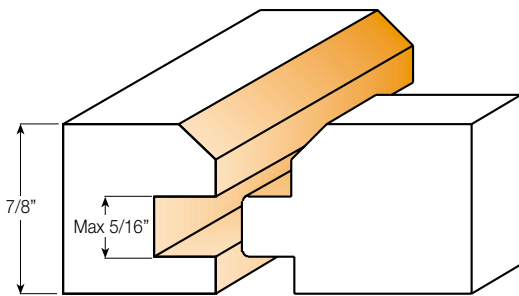
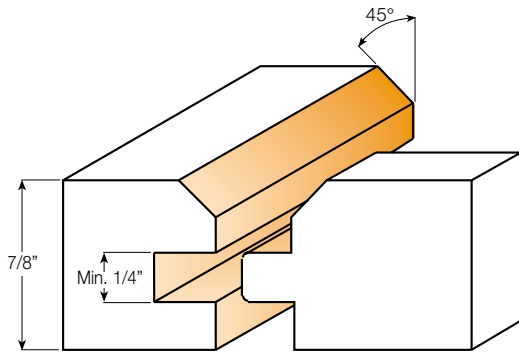
Set Contains	Order No. 1/2" Shank	Price \$	
		1/4" Shank	1/2" Shank
Inverted Roman Ogee Profile - 5/32" radius	867.501.11	N/A	53.90
Inverted Roman Ogee Profile - 5/32" radius	867.502.11	N/A	59.90
Inverted Roman Ogee Profile - 1/4" radius	867.503.11	N/A	73.90
Inverted Roundover Profile - 1/4" radius	867.601.11	N/A	53.90
Inverted Roundover Profile - 5/16" radius	867.602.11	N/A	59.90
Inverted Roundover Profile - 3/8" radius	867.603.11	N/A	73.90
Cove Cutter Head - 7" diameter, 5/8" arbor, 6 carbide teeth	230.006.07	N/A	180.90

855.506.11 1/2" Shank Set



\$ 190.00
PRICE

This set will produce beautiful tongue and groove paneling with an attractive 45° "V" pattern. The difference between the CMT set and other's is both of our bits have bearings to help guide the work piece accurately. This is also a matched set which makes swapping out bits easy or, if you prefer to set up on two separate tables, our set works best either way. 1/2" Shanks.



Cutting Diameter inches	D mm	Cutting Length inches	I mm	Cutting Angle	Max Joint Thickness	Order No. 1/2" Shank	Price \$	
							1/4" Shank	1/2" Shank
1-3/4"	44.4	7/8"	7/8"	45°	7/8"	855.506.11	N/A	190.00

800.520.11 1/2" Shank Set

NEW!

\$ 376.90
PRICE

CMT's popular Sommerfeld Cabinet Making Set is now available with the ogee raised panel profile. Make raised panels with a table mounted router that rival those made with expensive machinery. The new Sommerfeld Cabinetmaking Set features six router bits designed expressly for making arched raised panel doors and professional drawer fronts.

The set includes the following:

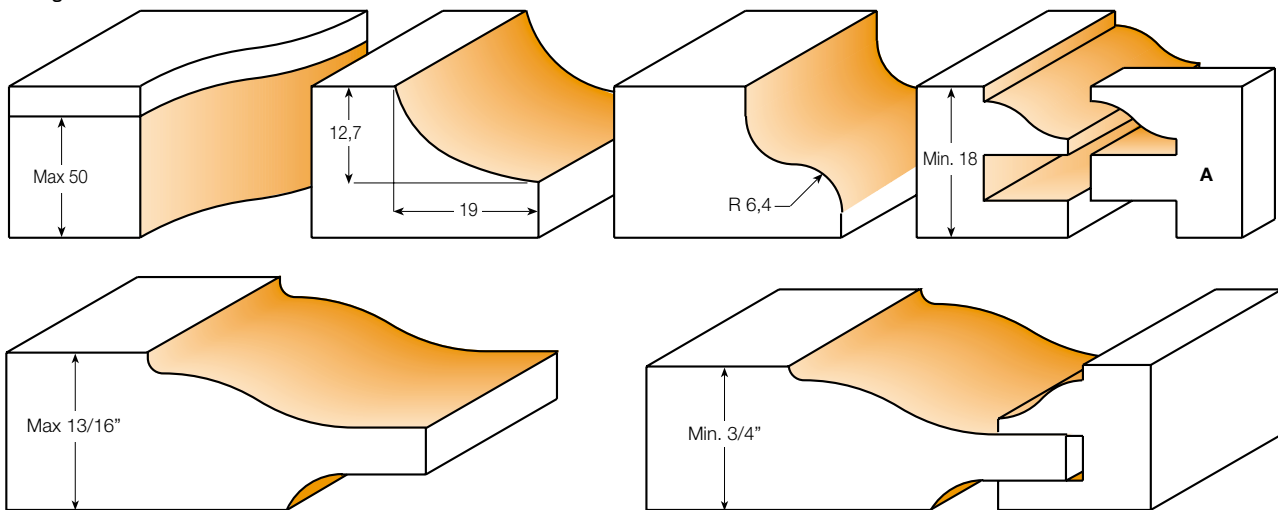
OGEE RAIL AND STILE MATCHED PAIR - Two separate cutters eliminate the frustration and time-consuming setup of reversible cutters. The stile cutter has a shear angle to produce superior cuts.

RAISED PANEL BIT WITH BACK-CUTTER - The 3-1/2" diameter bit has a back-cutter which allows milling of both the front and back of the panel in the same cut. An additional 1-1/4" diameter bearing promotes safety by allowing you to take two shallow passes.

SUPER-DUTY FLUSH TRIM BIT - The 3/4" cutting diameter gives a superior cut with minimal chipping, even on end grain.

OGEE DOOR EDGE BIT - A subtle cove followed by a small roundover adds an elegant touch to the door edge.

DRAWER FRONT BIT - This unique bit makes a mini-raised panel cut on the outside edges of the drawer fronts. A companion video demonstrating each bit and the use of templates is included at no extra charge.



Drawings are 1:1 scale

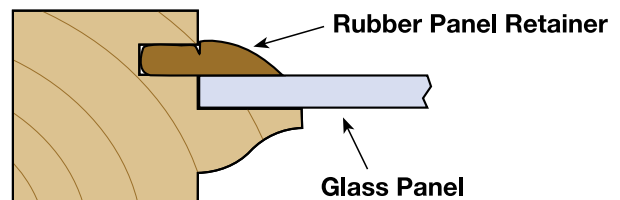
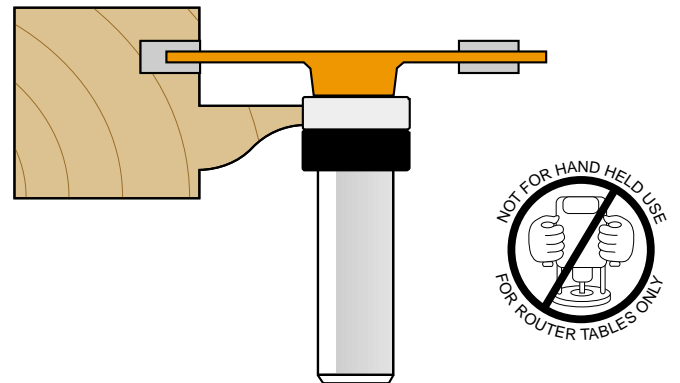
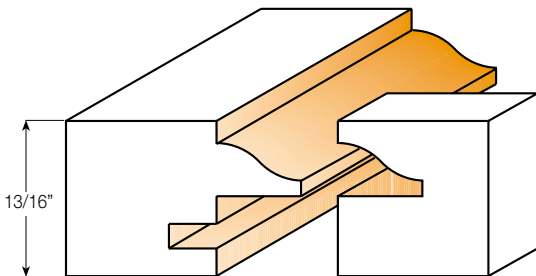
Set Contains	Order No.	Price \$	
		1/4" Shank	1/2" Shank
Raised panel bit with back-cutter	890.524.11	N/A	137.50
Ogee rail and stile matched pair	891.501.11	N/A	137.50
Ogee door edge bit	859.564.11	N/A	47.90
Drawer front bit	837.955.11	N/A	48.90
Super-Duty flush trim bit	806.690.11	N/A	39.50

855.803.11 1/2" Shank Set

NEW!

\$ 187.90
PRICE

Another innovative CMT product designed by Marc Sommerfeld. This unique stile and rail set allows you to easily produce glass panel doors utilizing a rubber panel retainer to secure the glass in an 1/8" slot that is cut into the door frames. This set works the same as our other stile and rail sets but leaves you with a square rabbet on the inside of your door for installing the glass panel. The bits are designed to machine all pieces face down. After machining the cope and pattern cuts use the 1/8" slot cutter to cut the groove for the rubber panel retainer. The edge of the pattern cut will ride on the guide bearing on the slot cutter bit (see drawing). When you cut the groove in the rails you can cut the slot the full length of the stock. When you cut the groove in the stiles you need to set up reference points to stop and start the cuts so they are hidden from view on the top and bottom of the doors. 1/2" Shanks.



Set Contains	Order No.	Price \$	
		1/4" Shank	1/2" Shank
1/8" Slot cutter with bearing	822.016.11B	N/A	62.50
Ogee rail and stile matched pair	855.803.11	N/A	137.50

800.522.11 1/2" Shank Set

NEW!

\$ 235.90
PRICE

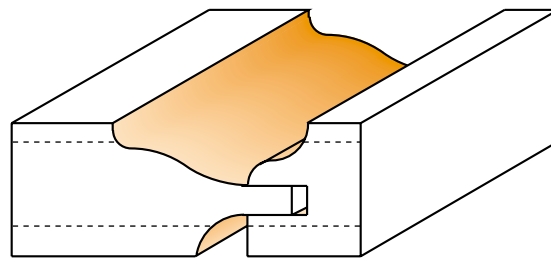
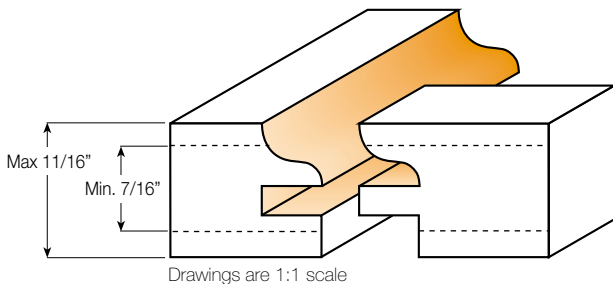
Our popular Sommerfeld Junior Raised Panel Set is now available with the ogee raised panel profile.

Used for making raised panels as small as 2-3/4" square in material as thin as 7/16" and up to 11/16" thick.

Use this set to produce jewelry boxes, humidors and clock cases with beautiful raised panels. Even library panels and coffered ceilings can be produced with beautiful frame and panel craftsmanship.

The Sommerfeld Junior Set includes the Raised Panel Bit with back-cutter and the matched Ogee Rail & Stile pair, packaged in a protective hardwood case.

1/2" Shanks.



Set Contains	Order No.	Price \$	
		1/4" Shank	1/2" Shank
Junior ogee raised panel bit with back-cutter	890.534.11	N/A	125.50
Junior ogee rail and stile matched pair	891.517.11	N/A	125.50

800.521.11 1/2" Shank Set

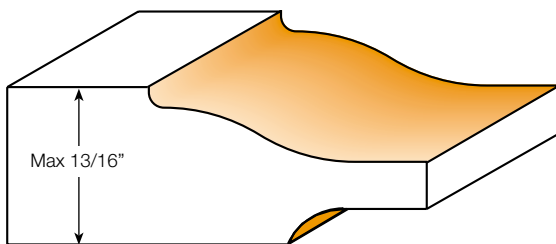
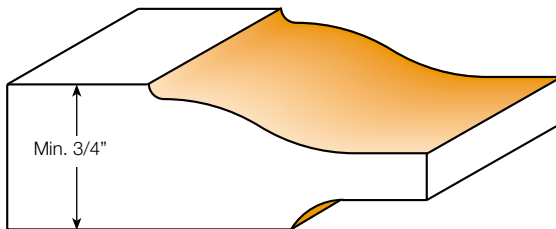
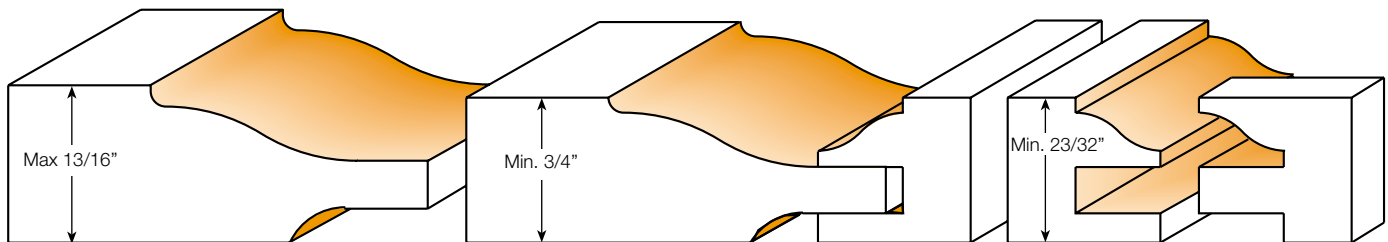
NEW!

\$ 243.90
PRICE

Our popular Sommerfeld Raised Panel Set is now available with the ogee raised panel profile. Make straight and arched raised panels with a table mounted router that rival those made with expensive machinery.

Making raised panels is easier than ever before with this new three-piece set. The ogee rail and stile bits are made to exact specifications to match perfectly. The stile cutter has a shear angle to produce superior cuts with minimal splintering.

The 3-1/2" diameter raised panel bit has an ogee profile and a back-cutter which allows milling of the front and back of the panel in the same pass. The bits come in a protective hardwood case, and the companion video demonstrating the use of each bit is included with the set.
1/2" Shanks.



Set Contains	Order No.	Price \$	
		1/4" Shank	1/2" Shank
Raised panel bit with back-cutter	890.524.11	N/A	137.50
Ogee rail and stile matched pair	891.501.11	N/A	137.50

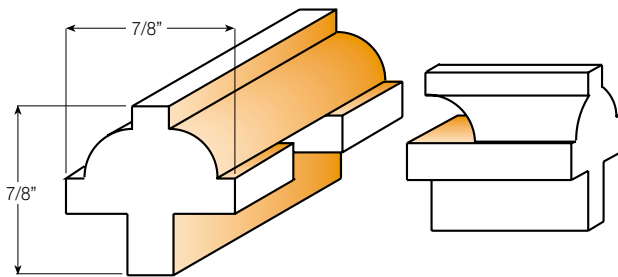
800.525.11 1/2" Shank Set

NEW!

\$ 153.90
PRICE

This three-piece set allows you to make true divided light doors for fine furniture and cabinets. The set consists of a sticking bit to cut the decorative ovolo profile on the frame edges, a cope bit which shapes the mating profile on the ends of the stock, and a rabbeting bit for cutting the recess for the glass. Because the bits have guide bearings you can also create arched or curved frames.

The unique design of the cope bit allows you to use full-length tenons to create strong, authentic mortise-and-tenon joinery. As the stock is coped, the tenon passes over the bit. The set is designed for 7/8" wide bars such as those on a corner cupboard door. 1/2" Shanks. Instructions Included.



This photograph shows an example of a divided light door on this corner cupboard made by Lonnie Bird

Set Contains	Order No.	Price \$	
		1/4" Shank	1/2" Shank
Rabbeting bit with bearing	835.850.11	N/A	34.50
Rail and stile matched pair	855.802.11	N/A	129.90

CMT Router Table - Solid Phenolic Top, Pivoting Fence and Cabinet

CMT teamed up with cabinet maker Marc Sommerfeld to design the ultimate router table system. Marc has years of experience working with shapers so naturally the design of our new table resembles a shaper both in form and function. With today's powerful 3 to 3-1/2 HP routers and the use of large 3-1/2" diameter raised panel bits, a table mounted router is truly more versatile than a shaper. Today's routers can match the power of a shaper yet have the flexibility of variable speeds between 8,000 and 22,000 rpm. With a shaper you have only two speeds, 7,000 or 10,000 rpm.

We designed and built our table on the concept of creating a true industrial production routing system from top to bottom. For the top we chose solid 3/4" thick phenolic. Phenolic is an extremely stable and durable material consisting of hundreds of layers of laminated sheets of phenolic. Phenolic has many of the properties of steel in strength and hardness and it can be drilled and tapped in much the same way. Phenolic is much more stable than the melamine or MDF tops found on many of today's router tables. Marc has been using phenolic for his router tops for years because phenolic tops are made flat and stay flat far longer than a melamine or MDF top will. The table top also includes interlocking aluminum rings to provide three hole sizes for different diameters of router bits and an extruded aluminum miter track.

To make our router table resemble a shaper even more we decided to eliminate the typical 9"x12" drop-in insert used in most router tables. Inserts can be a nuisance, they sag and vibrate under the weight of a heavy router. It's also frustrating when stock catches on the edge of an insert plate while feeding material. Saw dust also collects in and around the edges of an insert plate and eventually interrupts the work flow.

Another great feature Marc brought to the table is a simple yet ingenious way to change bits without having to pull the router out of the table top. Since our table does not have a drop-in insert plate, Marc designed a bent wrench to quickly change bits from above the table top.

For the fence we decided on an anodized extruded aluminum fence with a sub-fence made of high density white plastic for an ultra smooth feeding surface. Marc also wanted to incorporate the zero clearance inserts he uses on his previous router tables. The center section of the subfence allows the use of a replaceable mid-section that the bits can be cut through for a near zero clearance to reduce tearout for cleaner, safer cuts. The fence can be utilized in two ways - as a pivoting fence or locked into a fixed position parallel to the miter track with end clamps. Marc has been hooked on a pivoting fence for many reasons, mainly faster and easier set ups. Many bits today have guide bearings on them which makes alignment of the pivoting fence quick and simple. Just pivot the fence into the bearing with a straight edge lined up against the fence, tighten the ratcheting handle and you are ready to go. Read on for more specific features on each component of our new industrio routing system.



Made in Italy

Phenolic Router Top

- Width31"
- Depth23-14"
- Thickness3/4"
- Miter Track . . .31" x 2-3/8" x 9/16" miter bar

Shipping wt. (top only) 30 lbs.

Pivoting Fence

- Width35-13/16"
- Height4" Overall
- T-SlotsFront, Back and Top
- Jointer Pre-sets . .1/16" and 1/32"
- Sub-fences2@15-1/8"W x 2-1/8"H x 13/16"Thick
- Zero Clr. Insert . . .5-1/2"W x 2-1/8"H x 13/16"Thick
- Dust PortPEGT 2-1/2" Opening
- Bit GuardPEGT reverseable use

Shipping wt. (fence only) 18 lbs.

Router Table Cabinet

- Width27"
- Depth20-1/2"
- Height35-3/4"
- Material3/4" Melamine

Shipping wt. (cabinet only) 69 lbs.

Complete Router Table Weighs: 117 lbs.

Description	Order No.	Price \$
Complete Unit (top, fence, cabinet)	999.501.00	690.00
Router Top Only	999.501.01	278.00
Fence Only	999.501.02	239.00
Cabinet Only	999.501.03	173.00
Accessories: Zero Clearance Inserts <i>Included</i> (Quantity of 3)	999.501.04	27.90
<i>Included</i> Router Centering Tool	999.502.06	20.90
<i>Sold separately</i> Bent Wrench For Hitachi	991.002.00	22.90
<i>Sold separately</i> Bent Wrench For Porter Cable	991.001.00	22.90

Industrio™ Phenolic Routertop

3/4" solid phenolic top - complete with machined aluminum interlocking ring set for 3-5/8", 2-9/16" and 1-9/16" openings for all bit diameters. Our table top includes a premium anodized extruded aluminum miter track with a dual track system - one track has a conventional T-slot for standard miter gauges with or without a T-track guide and a second T-slot for using other types of hold downs, feather boards or custom made jigs that accept a 5/16" hex head bolt upside down in the track for fastening your accessories. You can purchase knobs with threaded inserts that will accept a 5/16" hex bolt and fasten just about anything, anywhere along the track. The table top is pre-drilled and includes threaded inserts for our pivoting fence with fine adjust feature and our freehand accessory included with our fence. For router installation the phenolic top can be easily drilled with a hand held drill. You will have to carefully and accurately mark and drill the hole pattern for the router you choose to install in this table. Make sure your drill is perpendicular to the surface at 90 degrees to the table top.

Description	Order No.	Price \$
CMT Industrio™ Phenolic Routertop	999.501.01	278.00

Industrio™ Pivoting Fence

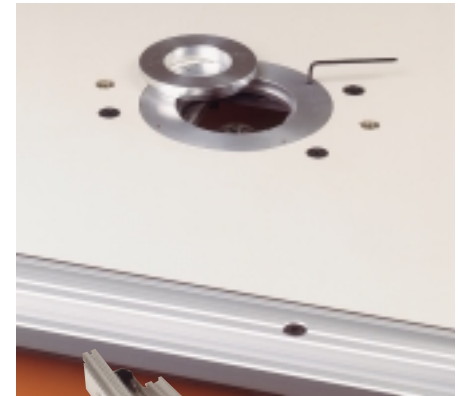
A heavy-duty anodized aluminum extrusion with T-slots front, back and on top for hold-downs, featherboards or other accessories that can be fastened with T-track for a 5/16" hex bolt head. This fence includes high density white plastic sub-fences that adjust laterally and includes 3 inserts for safe zero-clearance routing. The fence can be used in a pivoting manner or a fixed position with the use of end clamps. The pivot feature includes a spring loaded twist-lock pivot pin on one end and an L-shaped fine adjustment slot with ratcheting handle for quick fastening. Our fence will pivot while facing the miter gauge or flip it around and pivot with the fence back to the miter gauge for more table space. The dust port accepts a 2-1/2" diameter dust collection hose. Jointing shims that fit into machined grooves behind the sub-fence come standard and grooves are pre-set for 1/32" or 1/16" offsets on the out-feed side. A double-ended clear bit guard is adjustable for maximum hand/eye protection and visibility and a dual post with guard accessory for freehand work is also included with the fence (see photo below).

Description	Order No.	Price \$
CMT Industrio™ Precision Fence	999.501.02	239.00

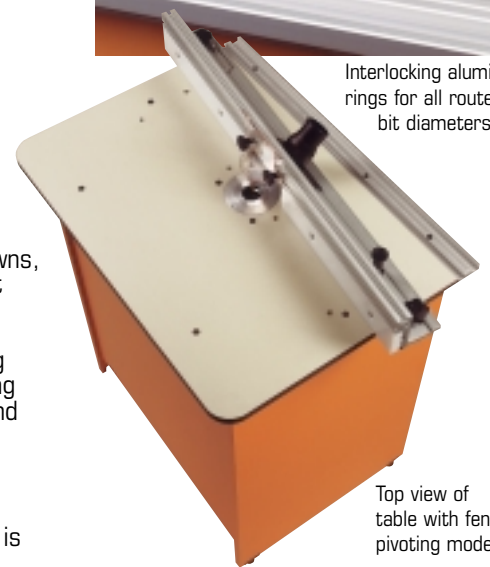
Industrio™ Router Table Cabinet

Sturdy 13/16" melamine cabinet fits together with posts & cross-dowels for optimal support. The cabinet includes 2-doors with handles for clean storage of router wrenches, bits and other accessories in the bottom of the cabinet. Our cabinet is equipped with high quality european cup hinges and adjustable feet for leveling the table.

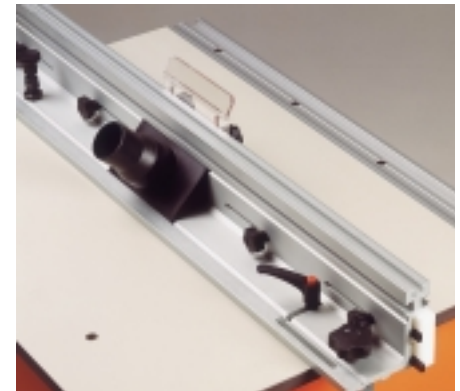
Description	Order No.	Price \$
CMT Industrio™ Router Table Cabinet	999.501.03	173.00



Interlocking aluminum rings for all router bit diameters



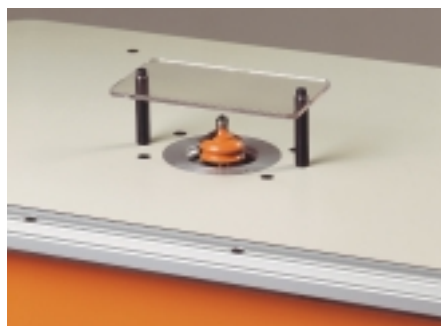
Top view of table with fence in pivoting mode



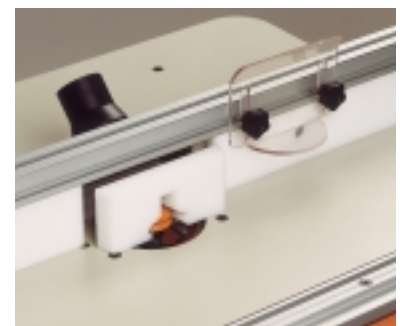
The rear view of our pivoting fence shows the pivot pin and ratcheting handle



Using our bent wrench to change bits from the top of the table is quick and easy



This is our dual post with guard accessory for freehand work on curves for example



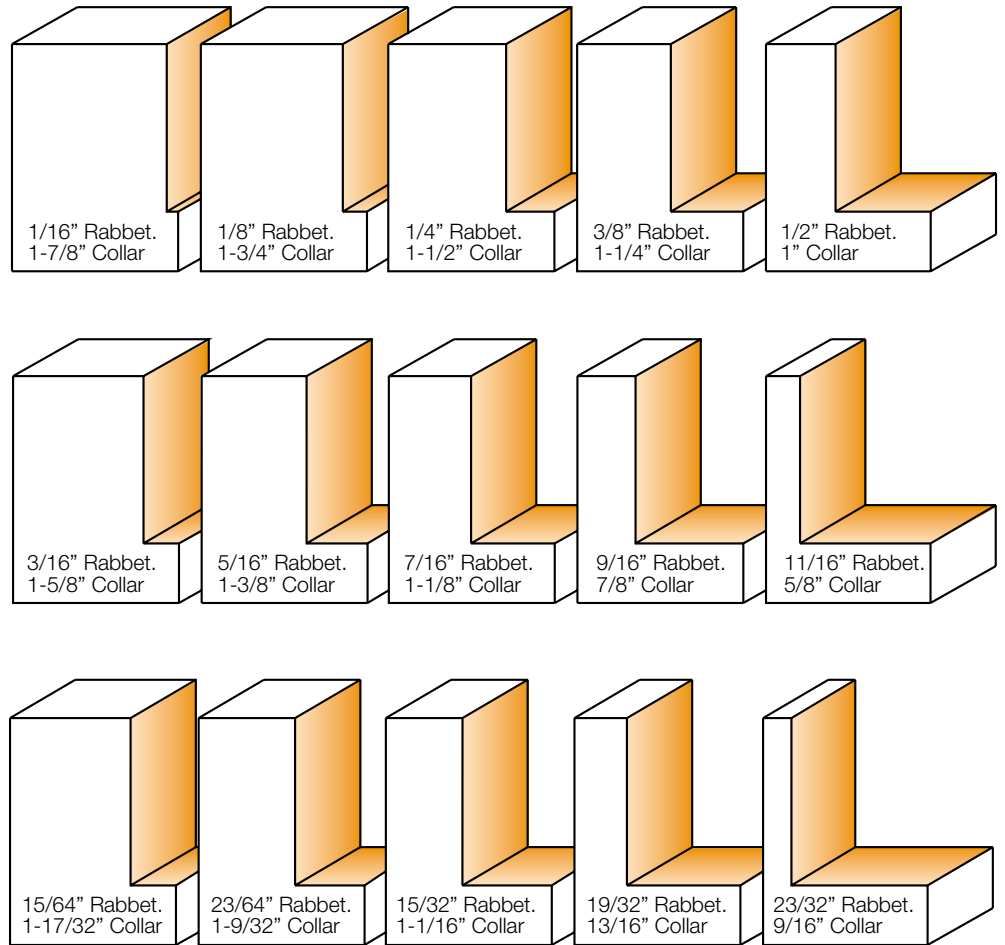
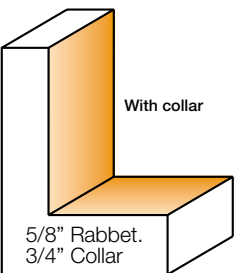
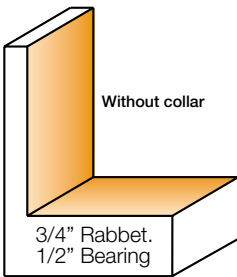
Here is a photo of the zero clearance insert feature on our subfence

835.503.11 1/2" Shank Set

NEW!

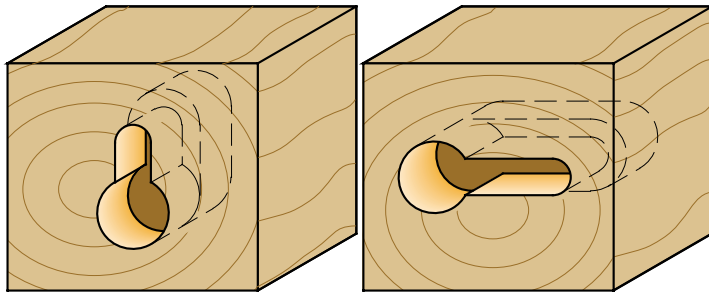
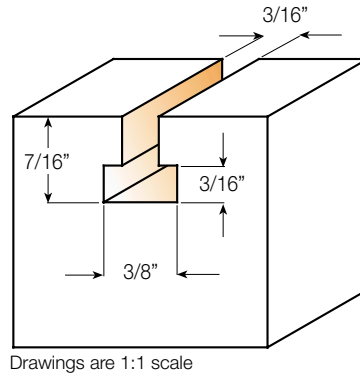
\$ 153.90
PRICE

The ultimate rabbeting set utilizes different sizes of machined aluminum collars to achieve rabbets from 1/16" - 3/4" depth. Including five undersized plywood sizes. 1/2" Shanks.



Set Contains	Order No. 1/2" Shank	Price \$	
		1/4" Shank	1/2" Shank
The Grand Rabbet (Bit Only)	835.990.11	N/A	68.90
5 pc. Collar Set (1/16", 1/8", 1/4", 3/8", 1/2" Rabbets)	791.705.00	N/A	32.90
5 pc. Collar Set (3/16", 5/16", 7/16", 9/16", 11/16" Rabbets)	791.706.00	N/A	32.90
5 pc. Collar Set (15/64", 23/64", 15/32", 19/32", 23/32" Rabbets)	791.707.00	N/A	32.90

With the CMT Keyhole Bit you can make holes that keep your frames, plaques or any wall hanging perfectly straight and attached to the wall. The bit bores an entry hole in the wood, then proceeds to cut a 3/16" hole and finishes by boring a larger opening under the surface. The perfect way to securely mount wall hangings on screws and nails. Now available in 1/2" shank.

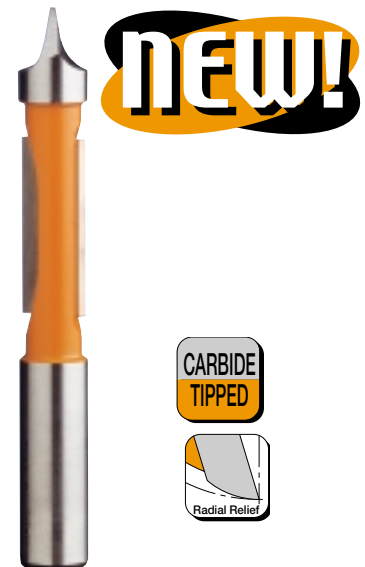
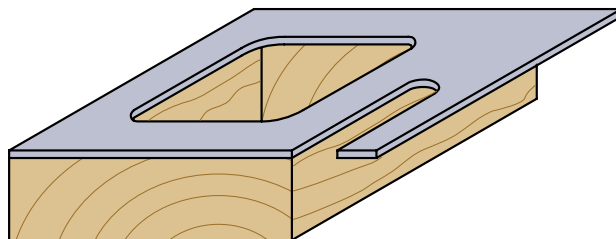


D Cutting Diameter		d Small Cutting Diameter	l Cutting Length	Order No. 1/2" Shank	Price \$ 1/2" Shank
3/8"	9.5 mm	3/16"	7/16"	850.501.11	22.90

2 Flute Panel Pilot Bits with guide

series 816

How much time do you end up spending making openings in paneling, drywall, siding, doors or windows? With the CMT Panel Pilot Bit, the job just got quicker. The point plunges smoothly and easily and the carbide edges cut clean and fast. All of this adds up to accurate cuts in less time and with less effort - great for trimming formica, veneer and other laminates. Now available with two carbide flutes.



D Cutting Diameter		I Cutting Length	L Overall Length	Order No. 1/4" Shank	Order No. 1/2" Shank	Price \$	
inches	mm					1/4" Shank	1/2" Shank
3/8"	9.52	1"	3-1/16"	816.095.11		13.90	N/A
1/2"	12.7	1-1/4"	4"		816.627.11	N/A	18.90